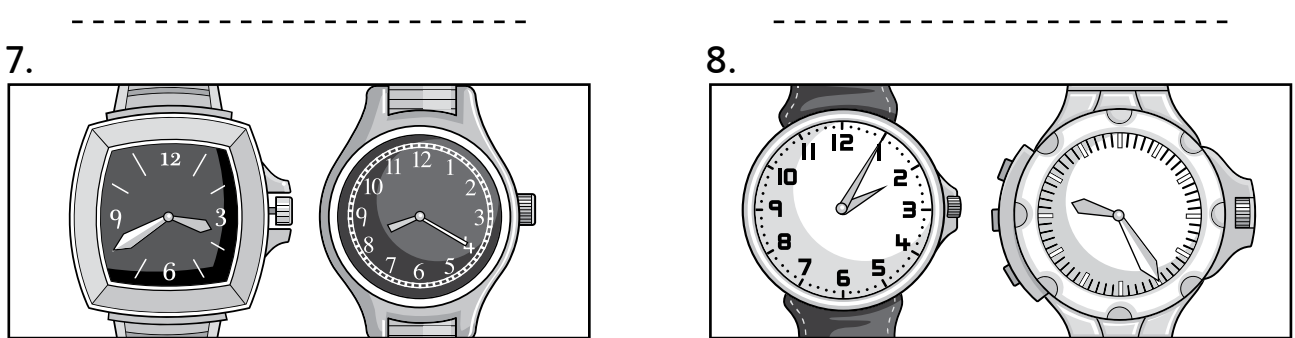
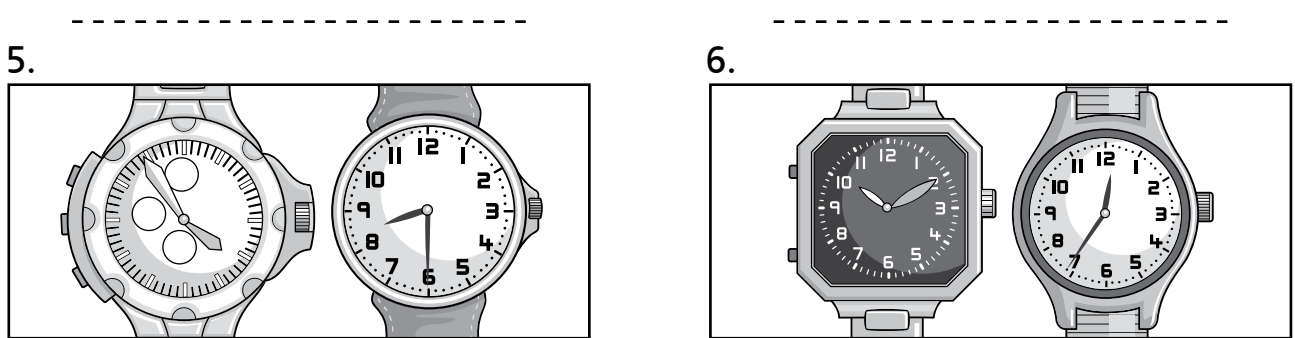
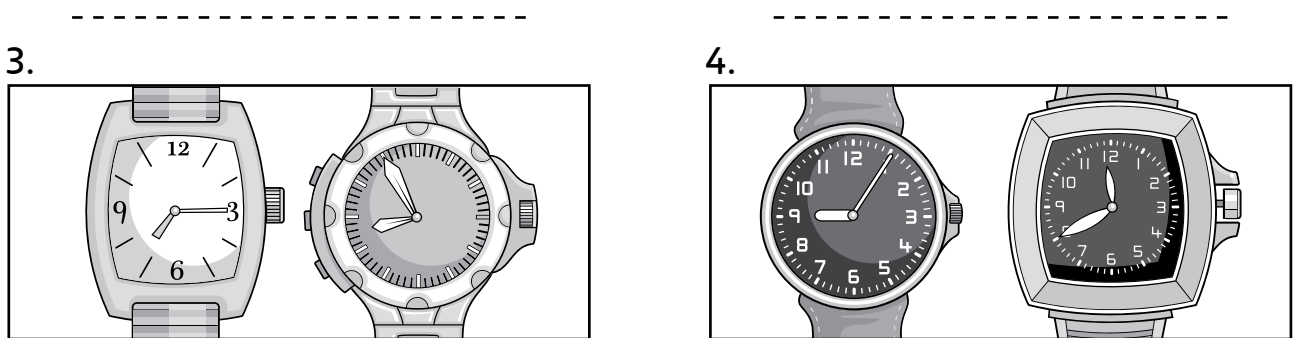
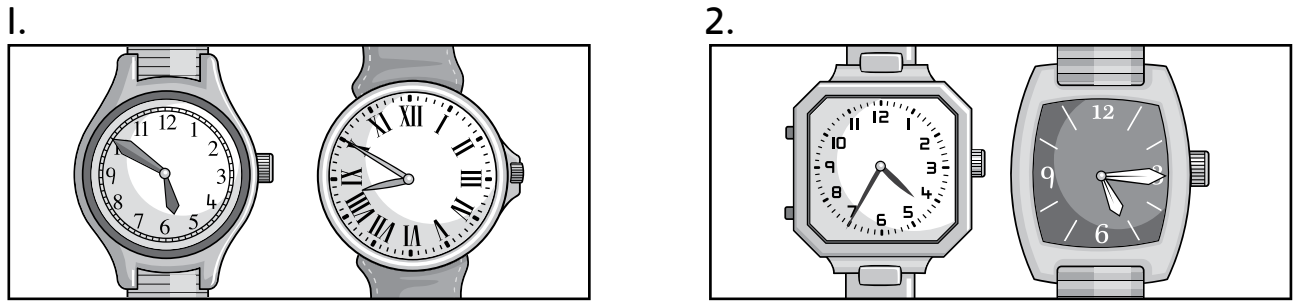


# Time differences

Amy goes for a walk every day. The watches show the times when she starts and finishes her walk. How long does each walk take?



9. Amy goes for a walk that takes exactly 1 hour and 25 minutes. On the back of this sheet, write four examples of times when she might start and end her walk.